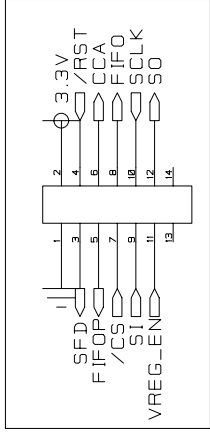
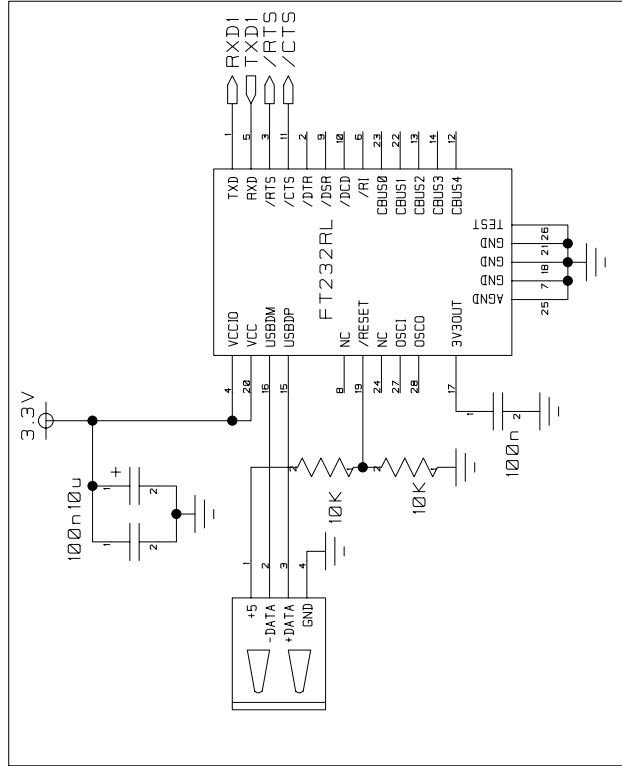
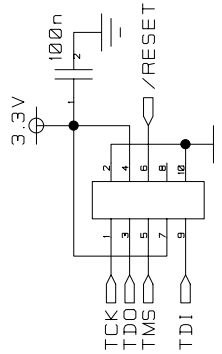
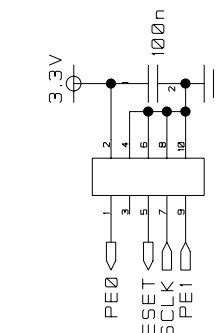
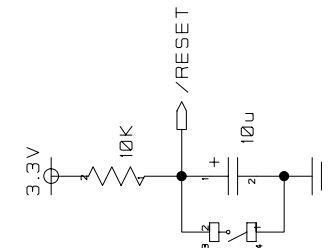
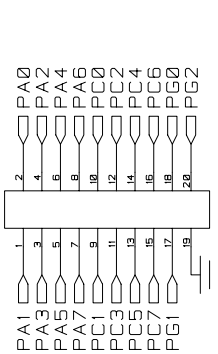
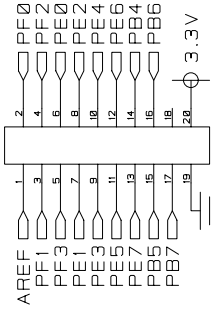
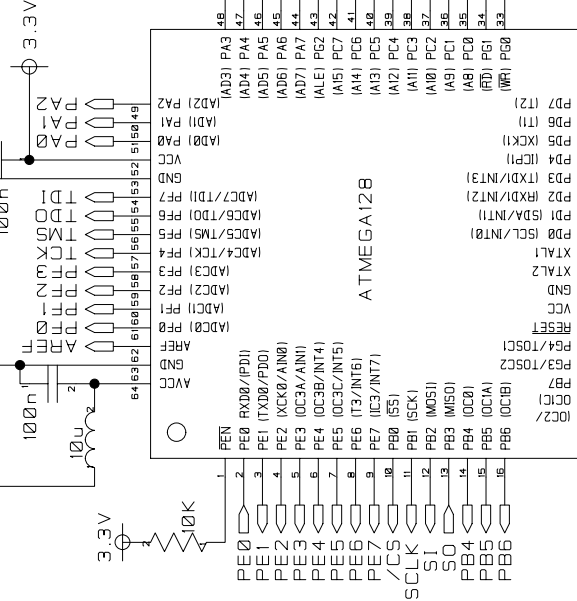


Substitutable!! MAX3232(RS232C) or Direct TTL Level



Equip with ZBR !!



CONTRACT NO.		COMPANY NAME	
APPROVALS		OLmicrowaves Co.	
DRAWN	DATE	DWG	MCU Board for ZBR Control
CHECKED	11/08/04	SIZE	F5CM NO.
ISSUED		A4	DWG NO.
		SCALE	REV. 1.0
			SHEET 1/1