



Secrétariat CN CC/GE 8

Votre correspondant : Jean-Claude HESLING

Ligne directe : + 33 1 42 91 57 08

Courrier électronique : jean-claude.hesling@email.afnor.fr

Nos références : K/JCH/AE

CN CC/GE 8 N **298**

2000-05-19

**Association
Française de
Normalisation**

Tour Europe

92049 Paris la Défense Cedex

France

Accès : La Défense 2

Parking Les Corolles

Tél : + 33 1 42 91 55 55

Télécopie : + 33 1 42 91 56 56

Minitel : 3616 AFNOR

<http://www.afnor.fr>

TITRE : ISO/CEI FDIS 15693-1 « Cartes d'identification - Cartes à circuit(s) intégré(s) sans contact - Cartes de voisinage - Partie 1 : Caractéristiques physiques »

SOURCE : Secrétariat central de l'ISO

SUITE A DONNER : Sauf avis contraire de votre part à transmettre à l'AFNOR (à l'attention de Annie ELBASE) avant le **30 mai 2000**, la France votera positivement sans commentaires sur l'ISO/CEI FDIS 15693-1.

Association reconnue
d'utilité publique
Comité membre français
du CEN et de l'ISO
Siret 775724 818 00015
Code NAF 751 E



Unité AFNOR-NORMALISATION
DTIC
Secrétariat CN CC

Responsable : Jean-Claude HESLING
ligne directe : +33 (0)1 42 91 57 08
jean-claude.hesling@email.afnor.fr

Assistante : Annie ELBASE
ligne directe : +33 (0)1 42 91 57 13
annie.elbase@email.afnor.fr


CN CC N 736

Date : 2000-04-14

Remplace le document N

Association Française de Normalisation	TITRE	:	ISO/CEI FDIS 15693-1 "Cartes d'identification - Cartes à circuit(s) intégré(s) sans contact - Cartes de voisinage - Partie 1: Caractéristiques physiques »
Tour Europe 92049 Paris La Défense Cedex France Accès : La Défense 2 Parking Les Reflets Tél. : +33 (0)1 42 91 55 55 Fax : +33 (0)1 42 91 56 56 Minitel : 3616 AFNOR http://www.afnor.fr	SOURCE	:	Secrétariat central de l'ISO
	SUITE A DONNER	:	Pour préparation du vote français (FDIS) à effectuer avant le 2000-06-06

Association reconnue
d'utilité publique
Comité membre français
du CEN et de l'ISO
Siret 775 724 818 00015
Code NAF 751 E

	Explanatory Report	ISO/IEC FDIS 15693-1
	ISO/IEC JTC 1/SC17 N 1639 Will supersede: SC 17 N 1355	Secretariat: APACS for BSI

This form should be sent to ITTF, together with the committee draft, by the secretariat of the joint technical committee or sub-committee concerned

The accompanying document is submitted for circulation to member body vote as a DIS, following consensus of the P-members of the committee obtained on: 1998-11-23	
	at the {DATE, LOCATION} meeting of ISO/IEC JTC 1/SC {YY} (See resolution number {XX} in document SC {YY} N {XXXXXX})
	by postal ballot initiated on: 1998-07-21
P-members in favour:	Australia, China, Czech Republic, Denmark, Finland, France, Germany, Israel, Italy, Korea, Netherlands, Norway, Poland, Russian Federation, Spain, Sweden, Switzerland, Turkey, UK, USA (20)
P-members voting against:	Japan (1)
P-members abstaining:	Canada, Portugal. (2)
P-members who did not vote:	Austria, Belgium, Brazil, Hungary, Romania. (5)

Remarks: The Ballot Result for the FCD is contained in N 1445. There was one negative vote from Japan which WG8 were able to resolve. The Disposition of Comments for the FCD is contained in N 1483.	
Project: 1.17.17.4	
I hereby confirm that this draft meets the requirements of part 3 of the IEC/ISO Directives	
Date: 1999-11-10	Name/Signature of the secretary: Freda Bennett

FINAL
DRAFT

INTERNATIONAL
STANDARD

ISO/IEC
FDIS
15693-1

ISO/IEC JTC 1

Secretariat: ANSI

Voting begins on:
2000-04-06

Voting terminates on:
2000-06-06

Identification cards — Contactless integrated circuit(s) cards — Vicinity cards —

Part 1: Physical characteristics

*Cartes d'identification — Cartes à circuit(s) intégré(s) sans contact —
Cartes de voisinage —*

Partie 1: Caractéristiques physiques

Please see the administrative notes on page iii

RECIPIENTS OF THIS DOCUMENT ARE INVITED TO SUBMIT, WITH THEIR COMMENTS, NOTIFICATION OF ANY RELEVANT PATENT RIGHTS OF WHICH THEY ARE AWARE AND TO PROVIDE SUPPORTING DOCUMENTATION.

IN ADDITION TO THEIR EVALUATION AS BEING ACCEPTABLE FOR INDUSTRIAL, TECHNOLOGICAL, COMMERCIAL AND USER PURPOSES, DRAFT INTERNATIONAL STANDARDS MAY ON OCCASION HAVE TO BE CONSIDERED IN THE LIGHT OF THEIR POTENTIAL TO BECOME STANDARDS TO WHICH REFERENCE MAY BE MADE IN NATIONAL REGULATIONS.



Reference number
ISO/IEC FDIS 15693-1:2000(E)

© ISO/IEC 2000

PDF disclaimer

This PDF file may contain embedded typefaces. In accordance with Adobe's licensing policy, this file may be printed or viewed but shall not be edited unless the typefaces which are embedded are licensed to and installed on the computer performing the editing. In downloading this file, parties accept therein the responsibility of not infringing Adobe's licensing policy. The ISO Central Secretariat accepts no liability in this area.

Adobe is a trademark of Adobe Systems Incorporated.

Details of the software products used to create this PDF file can be found in the General Info relative to the file; the PDF-creation parameters were optimized for printing. Every care has been taken to ensure that the file is suitable for use by ISO member bodies. In the unlikely event that a problem relating to it is found, please inform the Central Secretariat at the address given below.

Copyright notice

This ISO document is a Draft International Standard and is copyright-protected by ISO. Except as permitted under the applicable laws of the user's country, neither this ISO draft nor any extract from it may be reproduced, stored in a retrieval system or transmitted in any form or by any means, electronic, photocopying, recording or otherwise, without prior written permission being secured.

Requests for permission to reproduce should be addressed to either ISO at the address below or ISO's member body in the country of the requester.

ISO copyright office
Case postale 56 • CH-1211 Geneva 20
Tel. + 41 22 749 01 11
Fax + 41 22 734 10 79
E-mail copyright@iso.ch
Web www.iso.ch

Reproduction may be subject to royalty payments or a licensing agreement.

Violators may be prosecuted.

In accordance with the provisions of Council Resolution 21/1986, this document is **circulated in the English language only**.

Contents	Page
1 Scope	1
2 Normative references	1
3 Terms and definitions	1
4 Physical characteristics	2
4.1 General	2
4.2 Dimensions	2
4.3 Additional characteristics	2
4.3.1 Ultra-violet light	2
4.3.2 X-rays	2
4.3.3 Dynamic bending stress	2
4.3.4 Dynamic torsional stress	2
4.3.5 Alternating magnetic fields	2
4.3.6 Alternating electric field	3
4.3.7 Static electricity	3
4.3.8 Static magnetic field	3
4.3.9 Operating temperature	3
Annex A (informative) Standards compatibility	4
Annex B (informative) Surface quality for printing	5
Annex C (informative) Hole slot	6

Foreword

ISO (the International Organization for Standardization) and IEC (the International Electrotechnical Commission) form the specialized system for worldwide standardization. National bodies that are members of ISO or IEC participate in the development of International Standards through technical committees established by the respective organization to deal with particular fields of technical activity. ISO and IEC technical committees collaborate in fields of mutual interest. Other international organizations, governmental and non-governmental, in liaison with ISO and IEC, also take part in the work.

International Standards are drafted in accordance with the rules given in the ISO/IEC Directives, Part 3.

In the field of information technology, ISO and IEC have established a joint technical committee, ISO/IEC JTC 1. Draft International Standards adopted by the joint technical committee are circulated to national bodies for voting. Publication as an International Standard requires approval by at least 75 % of the national bodies casting a vote.

Attention is drawn to the possibility that some of the elements of this part of ISO/IEC 15693 may be the subject of patent rights. ISO and IEC shall not be held responsible for identifying any or all such patent rights.

International Standard ISO/IEC 15693-1 was prepared by Joint Technical Committee ISO/IEC JTC 1, *Information technology*, Subcommittee SC 17, *Identification cards and related devices*.

ISO/IEC 15693 consists of the following parts, under the general title *Identification cards — Contactless integrated circuit(s) cards — Vicinity cards*:

- *Part 1: Physical characteristics*
- *Part 2: Air interface and initialization*
- *Part 3: Anticollision and transmission protocols*
- *Part 4: Extended command set and security features*

Annexes A, B and C of this part of ISO/IEC 15693 are for information only.

Introduction

ISO/IEC 15693 is one of a series of International Standards describing the parameters for identification cards as defined in ISO/IEC 7810 and the use of such cards for international interchange.

This part of ISO/IEC 15693 describes the physical characteristics of vicinity cards.

This part of ISO/IEC 15693 does not preclude the incorporation of other standard technologies on the card, such as those referenced in the informative annex A.

Contactless Card Standards cover a variety of types as embodied in ISO/IEC 10536 (Close-coupled cards), ISO/IEC 14443 (Proximity cards), ISO/IEC 15693 (Vicinity cards). These are intended for operation when very near, nearby and at a longer distance from associated coupling devices respectively.

ISO/IEC 15693 is intended to allow operation of Vicinity cards in the presence of other contactless cards conforming to ISO/IEC 10536 and ISO/IEC 14443 standards.

Identification cards — Contactless integrated circuit(s) cards — Vicinity cards — Part 1: Physical characteristics

1 Scope

This part of ISO/IEC 15693 specifies the physical characteristics of vicinity cards (VICC). It applies to identification cards of the card type ID-1 operating in vicinity of a coupling device.

This part of ISO/IEC 15693 shall be used in conjunction with later parts of ISO/IEC 15693.

2 Normative references

The following normative documents contain provisions which, through reference in this text, constitute provisions of this part of ISO/IEC 15693. For dated references, subsequent amendments to, or revisions of, any of these publications do not apply. However, parties to agreements based on this part of ISO/IEC 15693 are encouraged to investigate the possibility of applying the most recent editions of the normative documents indicated below. For undated references, the latest edition of the normative document referred to applies. Members of ISO and IEC maintain registers of currently valid International Standards.

ISO/IEC 7810, *Identification cards - Physical characteristics*.

ISO/IEC 10373, *Identification cards - Test methods*.

IEC 61000-4-2, *Electromagnetic compatibility (EMC) - Part 4: Testing and measurement techniques - Section 2: Electrostatic discharge immunity test*.

3 Terms and definitions

For the purposes of this part of ISO/IEC 15693, the following terms and definitions apply.

3.1 integrated circuit(s) (IC)

Electronic component(s) designed to perform processing and/or memory functions.

3.2 contactless

Pertaining to the achievement of signal exchange with and supplying power to the card without the use of galvanic elements (i.e., the absence of an ohmic path from the external interfacing equipment to the integrated circuit(s) contained within the card).

3.3 contactless integrated circuit(s) card

A card of the card type ID-1 (as specified in ISO/IEC 7810) into which integrated circuit(s) have been placed and in which communication to such integrated circuit(s) is done in a contactless manner.

3.4 vicinity card (VICC)

A card of the card type ID-1 into which integrated circuit(s) and coupling means have been placed and in which communication to such integrated circuit(s) is done by inductive coupling in vicinity of a coupling device.

3.5 vicinity coupling device (VCD)

The reader/writer device that uses inductive coupling to provide power to the VICC and also to control the data exchange with the VICC.

4 Physical characteristics

4.1 General

The VICC shall have physical characteristics according to the requirements for the card type ID-1 specified in ISO/IEC 7810.

4.2 Dimensions

The nominal dimensions of the VICC shall be as for the card type ID-1 specified in ISO/IEC 7810.

4.3 Additional characteristics

4.3.1 Ultra-violet light

This part of the ISO/IEC 15693 excludes requirements for protection of the VICC against the effects of ultra-violet light levels greater than those in ordinary daylight at sea-level. Where greater protection is needed it shall be the responsibility of the card manufacturer to provide it and to state the tolerable level of ultra-violet light.

4.3.2 X-rays

The VICC shall continue to operate as intended after exposure of either face to medium-energy X-radiation, with energy in the range of 70 keV to 140 keV, of a cumulative dose of 0,1 Gy per year.

NOTE This corresponds to approximately twice the maximum acceptable dose to which humans may be exposed annually.

4.3.3 Dynamic bending stress

The VICC shall continue to operate as intended after testing in accordance with the test methods described in ISO/IEC 10373 where the maximum deflections about the short and long cards axes are $h_wA = 20$ mm and $h_wB = 10$ mm.

4.3.4 Dynamic torsional stress

The VICC shall continue to operate as intended after testing in accordance with the test methods described in ISO/IEC 10373 where the maximum angle of rotation is $\alpha = 15^\circ$.

4.3.5 Alternating magnetic fields

The VICC shall continue to operate as intended after exposure, in any orientation, to a magnetic field with an average level given in the Table 1. The averaging time is 6 minutes and the maximum rms level of the magnetic field is limited to 33 times the average level.

Table 1 — Magnetic Field Strength vs Frequency

Frequency Range (MHz)	Average Magnetic Field Strength (A/m rms)
0,3 - 3,0	1,63
3,0 - 30	4,89/ <i>f</i>
30 - 300	0,163

f: frequency in MHz

Additionally, the VICC shall continue to operate as intended after continuous exposure to a magnetic field of an average level of 10 A/m rms at 13,56 MHz. The averaging time is 30 seconds and the maximum level of the magnetic field is limited to 12 A/m rms.

4.3.6 Alternating electric field

The VICC shall continue to operate as intended after exposure, in any orientation, to an electric field with an average level given in the Table 2. The averaging time is 6 minutes and the maximum rms level of the electric field is limited to 33 times the average level.

Table 2 — Electric Field Strength vs Frequency

Frequency Range (MHz)	Average Electric Field Strength (V/m rms)
0,3 - 3,0	614
3,0 - 30	1842/ <i>f</i>
30 - 300	61,4

f: frequency in MHz

4.3.7 Static electricity

The VICC shall continue to operate as intended after testing in accordance with the test methods described in ISO/IEC 10373 (referring to IEC 61000-4-2:1995), where the test voltage is 6 kV.

4.3.8 Static magnetic field

The VICC shall continue to operate as intended after exposure to a static 640 kA/m magnetic field.

WARNING — The data content of a magnetic stripe might be erased by such a field.

4.3.9 Operating temperature

The VICC shall operate as intended over an ambient temperature range of 0 °C to 50 °C.

Annex A (informative)

Standards compatibility

This part of ISO/IEC 15693 does not preclude the addition of other existing card standards on the VICC, such as those listed as follows:

ISO/IEC 7811, *Identification cards - Recording technique.*

ISO/IEC 7812, *Identification cards - Identification of issuers.*

ISO/IEC 7813, *Identification cards - Financial transaction cards.*

ISO/IEC 7816, *Identification cards - Integrated circuit(s) cards with contacts.*

ISO/IEC 10536, *Identification cards - Contactless integrated circuit(s) cards - Close-coupled cards.*

ISO/IEC 14443, *Identification cards - Contactless integrated circuit(s) cards - Proximity cards.*

WARNING — Restrictions may apply to embossing of the VICC.

Annex B (informative)

Surface quality for printing

Where there is a requirement to customise the VICC after the manufacturing process by overprinting, care should be taken to ensure the areas used for printing are of sufficient quality appropriate to the printing technique or printer used.

Annex C (informative)

Hole slot

When a slot is optionally implemented the slot size and slot location should be as shown in either Figure C.1 or Figure C.2.

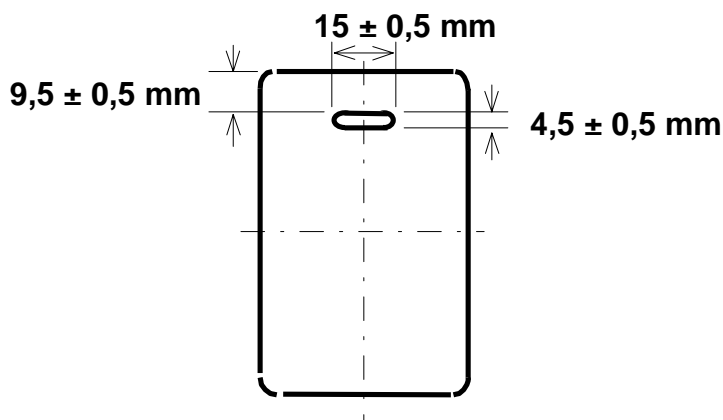


Figure C.1 — Hole Slot for Portrait Orientation

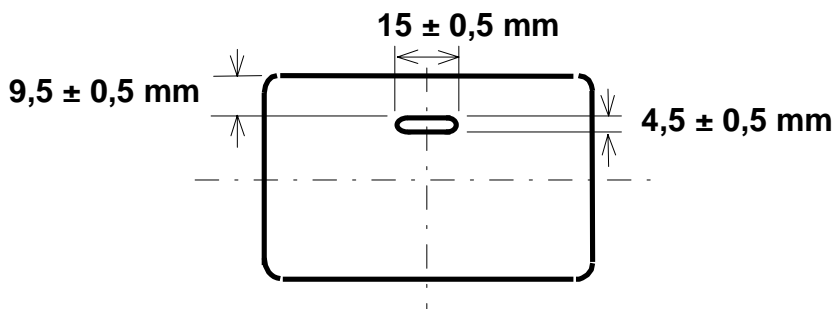


Figure C.2 — Hole Slot for Landscape Orientation

The VICC IC(s) and inductive coupling element shall be positioned such that either slot as shown in Figure C.1 and Figure C.2 can be implemented without interference to either the IC(s) or inductive coupling element.

WARNING — Cards with hole slots may cause problems in automatic card handling equipment, for example cash dispensers.

